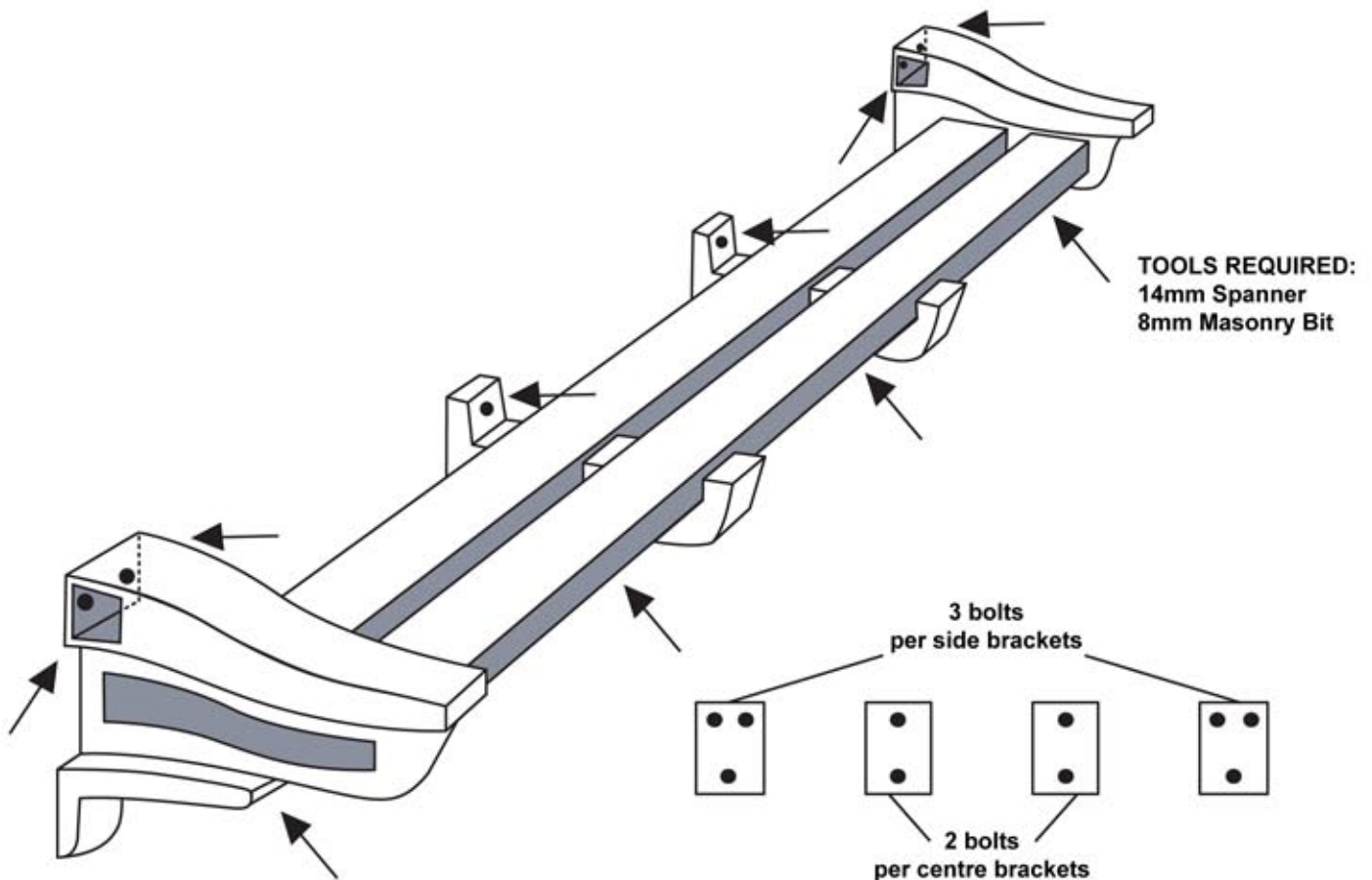


WALL SEAT

YOUR BENCH IS SUPPLIED ASSEMBLED WITH:
10 FIXING BOLTS



1. Use an 8mm masonry drill bit to drill a hole in the wall through the holes in the brackets to a depth of 130mm.

2. Screw the bolts into the holes through the wall brackets using a 14mm spanner.

3. Tighten with spanner to secure your Bench to the wall.

Your Bench is now secure and ready for use!!